



## For Heavy, Freestanding Lifting

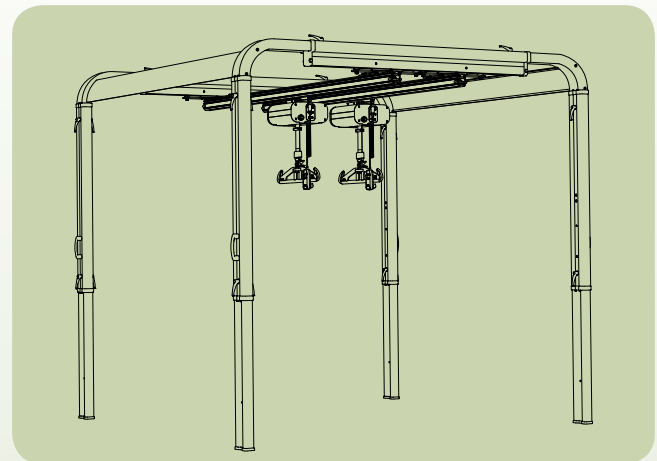
The need for lifts for very heavy patients has increased considerably in the last few years. With a lifting capacity of 500 kg (1,100 lbs.), the freestanding FreeSpan UltraTwin™ system meets very high demands.

FreeSpan UltraTwin™ is freestanding and therefore does not have any structural requirements for walls or ceiling. It is also easy to move. The system is available in different rail lengths in order to be adaptable to room size and lifting needs. FreeSpan UltraTwin™ is available both as straight rail and traverse system, which means that a larger surface of the room can be covered by the lift system.

Lifting heavy patients requires well-thought-out aids. A good example is the possibility of positioning the patient so that there is no pressure on the chest, which could cause respiratory difficulties. Thanks to the functional solution with two interacting lift motors, lifting and transferring as well as placing the patient in a

sitting, half-sitting or lying position, can be done.

FreeSpan UltraTwin™ is available in different widths between the two rails to suit different types of transfer situations.



*FreeSpan UltraTwin™ Traverse enables lifting over large parts of the room surface.*

### Lifting Accessories Making Heavy Lifting Easy

Liko has a long experience in working with overweight patients. For many years we have collaborated closely with several large hospitals which specialize in the care and treatment of overweight patients. This has made us pioneers in the industry of lift equipment specially adapted for very large patients. Our lifting accessories for heavy lifting are available in several different models managing lifting of up to 500 kg (1,100 lbs.).



Thanks to the functional double motor solution, the patient can be balanced when being lifted horizontally.



Two Likorall™ can be operated with a single hand control, using Ultra Control Unit.



### UltraTwist™ - For Smooth Positioning

The UltraTwist™ accessory offers a unique ability to adjust the patient's position during and after the transfer.

UltraTwist™ enables full rotation (360°) of the patient and is available in two versions: narrow and wide. Which UltraTwist™ you should choose depends on your needs. For horizontal lifts, UltraTwist™ Wide is the given choice.

Read more on our website: [www.liko.com](http://www.liko.com).



Maximum load: 400-500 kg (880-1,100 lbs.)

Design and Quality by Liko™ in Sweden.

UltraTwin™ has been tested by an accredited testing institute and complies with the requirements for Medical Device Directive Class I products (MDD 93/42/EEC) and EN ISO 10535.

Liko™ is quality certified in accordance with ISO 9001 and its equivalent for medical devices, ISO 13485.

Liko™ is certified in accordance with the Environmental Management System ISO 14001.



Enhancing Outcomes for Patients and Their Caregivers.™

France \_\_\_\_\_ +33 (0)2 97 50 92 12  
United Kingdom \_\_\_\_\_ +44 (0)1530 411000  
Deutschland \_\_\_\_\_ +49 (0)211 16450-0  
Nederland \_\_\_\_\_ +31 (0)347 32 35 32  
Italia \_\_\_\_\_ + 39 (0)2 950541  
Suisse/Schweiz \_\_\_\_\_ +41 (0)21 706 21 30  
(deutschsprachig) \_\_\_\_\_ +41 (0)21 706 21 38

Österreich \_\_\_\_\_ +43 (0)2243 28550  
Ireland \_\_\_\_\_ +353 (0)1 413 6005  
Iberia \_\_\_\_\_ +34 (0)93 6856000  
Nordic Countries \_\_\_\_\_ +46 (0)20 78 10 30  
Export \_\_\_\_\_ Contact your local Hill-Rom distributor or contact your Area Manager via website or call \_\_\_\_\_ +1 812 934 8173

[www.hill-rom.com](http://www.hill-rom.com)  
[www.liko.com](http://www.liko.com)

Hill-Rom® reserves the right to make changes without notice in design, specifications and models. The only warranty Hill-Rom® makes is the express written warranty extended on the sale or rental of its products.

© 2012 Hill-Rom® SARL, ALL RIGHTS RESERVED.